

Tower2™

The thermal solution for Post-Top LED streetlights.

Features and Benefits

- * Can save 50% on electric bills, fast 3-year ROI
- * Lumen Maintenance > 50,000 hrs to 70%, (12 years)
- * 20% better cooling efficiency, allows extended warranty
- * Heat driven recirculating heat exchanger
- * Solid-state, no fan or moving parts, RoHS Compliant
- * Field installations can screw into Mogul or Medium base
- * Installation same as relamping, i.e. Holophane Postlite® Glass 400
- * Uses Philips Luxeon Rebel® LEDs

Tower2 cools with forced convection; it multiplies the airflow across fins for every LED. As a result, with no fans or other assistance, **Tower2** creates a negative pressure, or suction around strategic locations at the coolest section in the globe. Suction creates turbulence to remove pockets of static air that otherwise insulates the heat source from the globe.

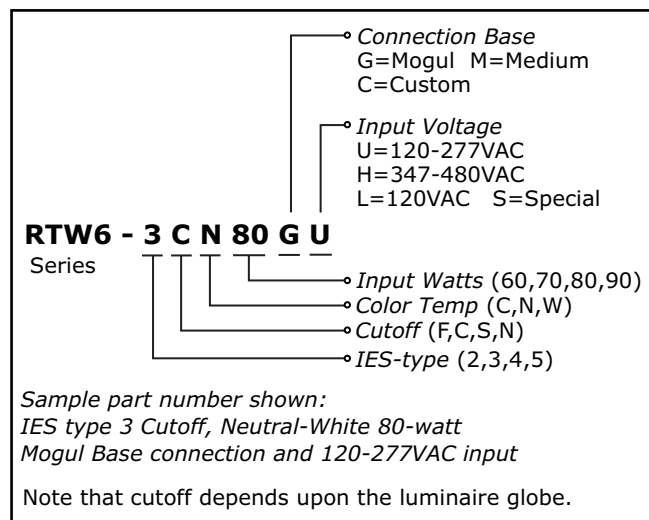
Nearly all the air in a **Tower2** system circulates to contact the globe surface, making an efficient conduction heat exchange at the globe. Thermal testing shows **Tower2** as 20% more efficient than a conventional finned heat exchanger, and it doesn't require attachment to the metal base. **Tower2** system has Patents Pending.



General Specifications

- * 4690 Lumens Cool White (70 Watts)
- * Luminaire efficacy > 67 Lm/Watt
- * Warm White CCT 3000K CRI > 85
- * Neutral White CCT 4100K CRI > 70
- * Cool White CCT 5500K CRI > 70
- * IESNA type 2, 3, 4, 5 or custom
- * 60/70/80/90 Watts (choose power savings)
- * Dimensions with optics: 5.35" Dia. x 14" Tall
- * Weight without driver: 11 lbs (5 KiloGrams)
- * 120-277VAC or 347-480VAC
- * Power Factor > 0.90 THD < 20%
- * Surge Protection 2.5 KV
- * UL Listed Driver, Thermally Protected
- * FCC Title 47 CFR Part 15 Non-Consumer (Class A)

Part Numbering



Rebel is a registered trademark of the Philips Lumileds Lighting Company
Postlite and Holophane are registered trademarks of Acuity Brands



Street Lighting Equipment Corporation

2099 South Park Road, Hallandale, FL 33009, (954) 961-9140 www.streetlightingfla.com

Tower2 is a trademark of Street Lighting Equipment Corp., All rights reserved. Tower2 has US Patents Pending. Street Lighting Equipment Corp. (SLEC) is not responsible for results of improper application or mis-use of any of its products. SLEC reserves the right to change or improve product specifications at any time without notice.